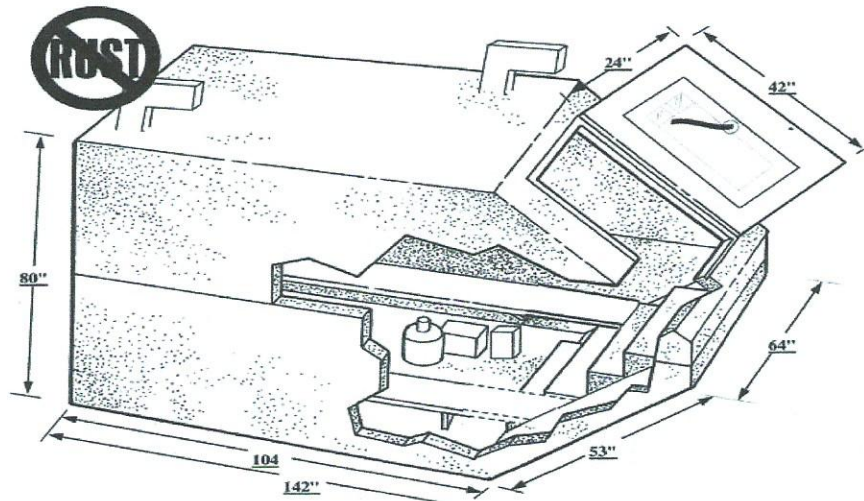


"The Life Saver"

PRE-CAST CONCRETE STORM SHELTER

Life Saver Door
Tested to meet
FEMA 320
Guidelines



**Strong - Comfortable - Solid
SHELTERED PROTECTION**

GALLATIN COUNTY

READY MIX CONCRETE PRODUCER



1-859-643-5000



"WHERE QUALITY & SERVICE COME FIRST"